

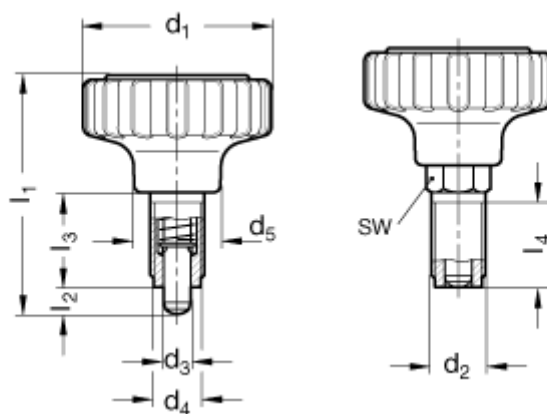
Data Sheet



Article number: 201140020

Description: E+G Indexing plunger
GN 7336.7-34-M10x1-5

Measures



$d_1 = 34$

$d_2 = M 10 \times 1$

$d_3 = 5$

$d_4 = 8,6$

$d_5 = 15,5$

$l_1 = 44$

$l_2 = 5$

$l_3 = 19$

$l_4 = 17$

$N = 7$

$sw = 10$